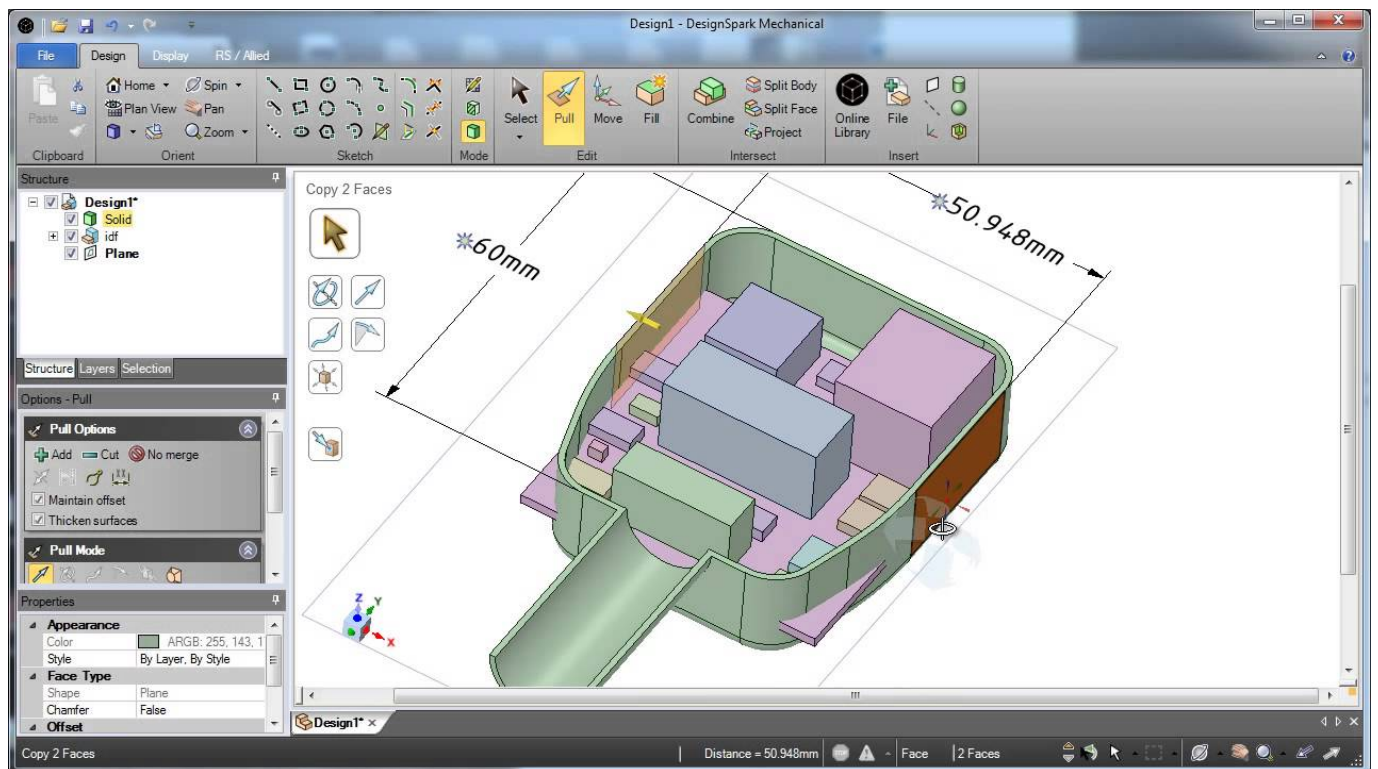




[Mechanical Drawing Software For Mac](#)



[Mechanical Drawing Software For Mac](#)

Download



The Association of Educational Web publishers awarded Cad Pro with the Distinguished Accomplishment Award.. Easy to Use Drafting Software for Mechanical Styles Easy to Use Drafting Software program for Schools and Colleges Cad Professional is used in several educational institutions for training learners in all fields of drafting and style.. College students from all taking walks of lifetime make use of Cad Pro's simple to make use of drafting software for their student projects and class room tasks.

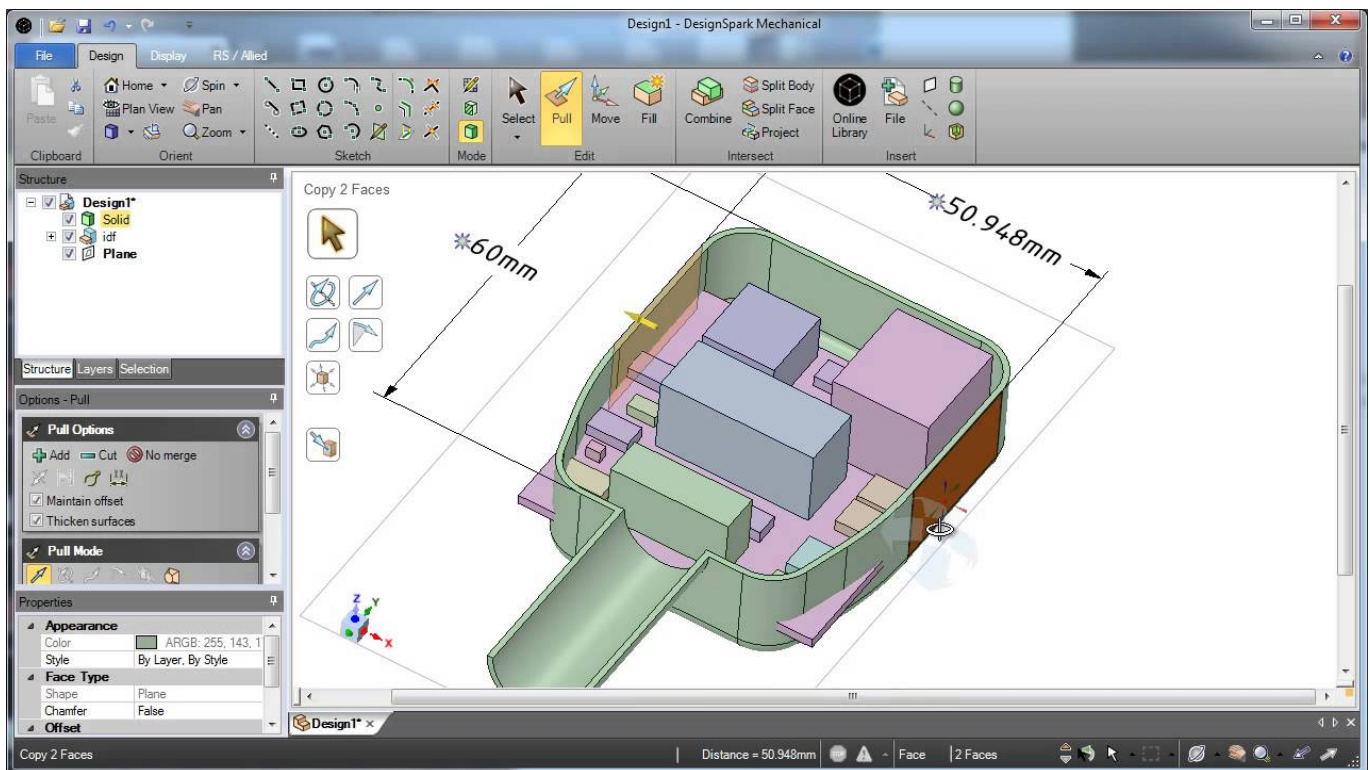
1. [mechanical drawing software](#)
2. [mechanical drawing software for pc](#)
3. [mechanical drawing software online](#)

Easy to Make use of Drafting Software for Architectural Styles Key Functions for Easy to Use Drafting Software program.. CAD Professional's easy to use composing software is excellent for designers, engineers, builders, contractors, educators and college students.

mechanical drawing software

mechanical drawing software, mechanical drawing software free, mechanical drawing software for pc, mechanical drawing software for windows 10, mechanical drawing software online, mechanical drawing software free download, mechanical drawing software for mac, mechanical drawing software for windows, 2d mechanical drawing software, simple mechanical drawing software, mechanical engineering drawing software, mechanical schematic drawing software [Kompakt Vst Free Download](#)

[Download conversion for 1 ounce for windows 7 32](#)



[metal gear solid 5 phantom pain crack cpy](#)

mechanical drawing software for pc

[Trainz Simulator 12 Serial](#)
[download Texte von iPhone zu Mac frei](#)

mechanical drawing software online

[Google Office For Mac](#)

34bbb28f04 [make video converter 4 0 3 download free for windows 10 enterprise 32](#)

34bbb28f04

[Autotune Full Version For Mac](#)